

130-317D190 L-8 (1990)  
Body Assembly

Page 2 of 18

| Ref # | Part Number | Qty | S/P/F | Description                           |
|-------|-------------|-----|-------|---------------------------------------|
| 1     | 16655A      | 1   |       | Dash Panel Support Brkt.              |
| 2     | 16656       | 1   |       | Dash Panel                            |
| 3     | 710-0118    | 1   | S     | Hex Bolt 5/16-18 x .751 Lg.           |
| 5     | 710-0776A   | 1   | S     | Hex AB-Tap Scr. 1/4 x .62/            |
| 7     | 712-0267    | 1   | S     | Hex Nut 5/16-18 Thd.                  |
| 8     | 725-0634    | 1   | S     | Light Switch                          |
| 9     | 751-3071    | 1   | S     | Gas Cap                               |
| 10    | 726-0205    | 1   | /P    | Hose Clamp                            |
| 11    | 726-0209    | 1   | /P    | Cable Tie                             |
| 12    | 736-0119    | 1   | S     | L-Wash. 5/16" I.D.                    |
| 13    | 725-0267    | 1   | S     | Ignition Switch                       |
| 14    | 725-0201    | 1   | S     | Ignition Key                          |
| 15    | 751-0553    | 1   | S     | Fuel Tank                             |
| 16    | 751-0535-15 | 1   | S     | Gas Line-15" Lg.                      |
| 17    | 761-0169    | 1   | S     | Blade Brake Ass'y.                    |
| 18    | 710-0111    | 1   | /P    | Carriage Bolt 1/4-20 x 1.25"          |
| 19    | 710-0793    | 1   |       | Ribbed Neck Bolt 3/8-24 x .8"         |
| 20    | 15607D      | 1   | S     | Seat Pivot Brkt.                      |
| 21    | 17590       | 1   |       | Rear Fender                           |
| 22    | 17704       | 1   |       | Seat Hinge Support Brkt.-R.H.         |
| 23    | 17703       | 1   |       | Seat Hinge Support Brkt.-L.H.         |
| 24    | 17553       | 1   |       | Deck Lift Index Brkt.                 |
| 25    | 725-0514A   | 1   | S     | Battery                               |
| 26    | 710-0817    | 1   |       | Hex Self-Tap Screw 5/6-18 x 1 .25 Lg. |
| 27    | 710-0255    | 1   | S     | Truss Mach. Scr. 1/4-20 x .75 Lg.     |
| 28    | 710-0726    | 1   | /P    | Hex AB-Tap Scr. 5/16 x .75 Lg.        |
| 29    | 710-1017    | 1   | /P    | Torx Mach. AB-Tap Scr. 1/4 x .62" Lg. |
| 30    | 710-0623    | 1   | /P    | Hex Self-Tap Scr. 3/8-16 x .75" Lg.   |
| 31    | 712-0287    | 1   | S     | Hex Nut 1/4-20 Thd.                   |
| 33    | 731-0871A   | 1   | S     | Battery Box w/Cover                   |
| 34    | 732-0588    | 1   |       | Compression Spring                    |
| 35    | 725-0222    | 1   | S     | Headlight                             |
| 36    | 736-0242    | 1   | /P    | Bell-Wash. 5/16" I.D.                 |
| 37    | 736-0329    | 1   | S     | L-Wash. 1/4" I.D.                     |
| 40    | 731-0465    | 1   |       | Bezel                                 |
| 41    | 710-0346    | 1   |       | C-Sunk Mach. Scr. 1/4-20 x 1.5"       |
| 42    | 09960       | 1   |       | Headlight Retainer                    |
| 43    | 14748A      | 1   |       | Side Panel-R.H.                       |
|       | 14749A      | 1   |       | Side Panel-L.H. (Not Shown)           |
| 44    | 731-0511-31 | 1   |       | Trim Strip 31" Lg.                    |
| 45    | 16277       | 1   |       | Grille                                |
| 46    | 17143A      | 1   |       | Grille Mtg. Brkt.-L.H.                |
| 47    | 17144A      | 1   |       | Grille Mtg. Brkt.-R.H.                |
| 48    | 16681       | 1   |       | Hood                                  |
| 49    | 736-0217    | 1   | S     | L-Wash. 3/8" I.D.-H.D.                |
| 50    | 712-0241    | 1   | /P    | Hex L-Nut 3/8-24 Thd.                 |
| 52    | 710-0473    | 1   | /P    | Truss Mach. Scr. #10-24 x .5" Lg.     |
| 53    | 723-0308B   | 1   |       | Foot Pad-R.H.                         |
| 54    | 723-0309B   | 1   | /P    | Foot Pad-L.H.                         |
| 57    | 712-0380    | 1   |       | Lock Nut 1/4-28 Thd.                  |
| 58    | 722-0157    | 1   |       | Foam Strip                            |
| 59    | 723-0302    | 1   |       | Hood Stop                             |
| 62    | 732-0414A   |     |       |                                       |

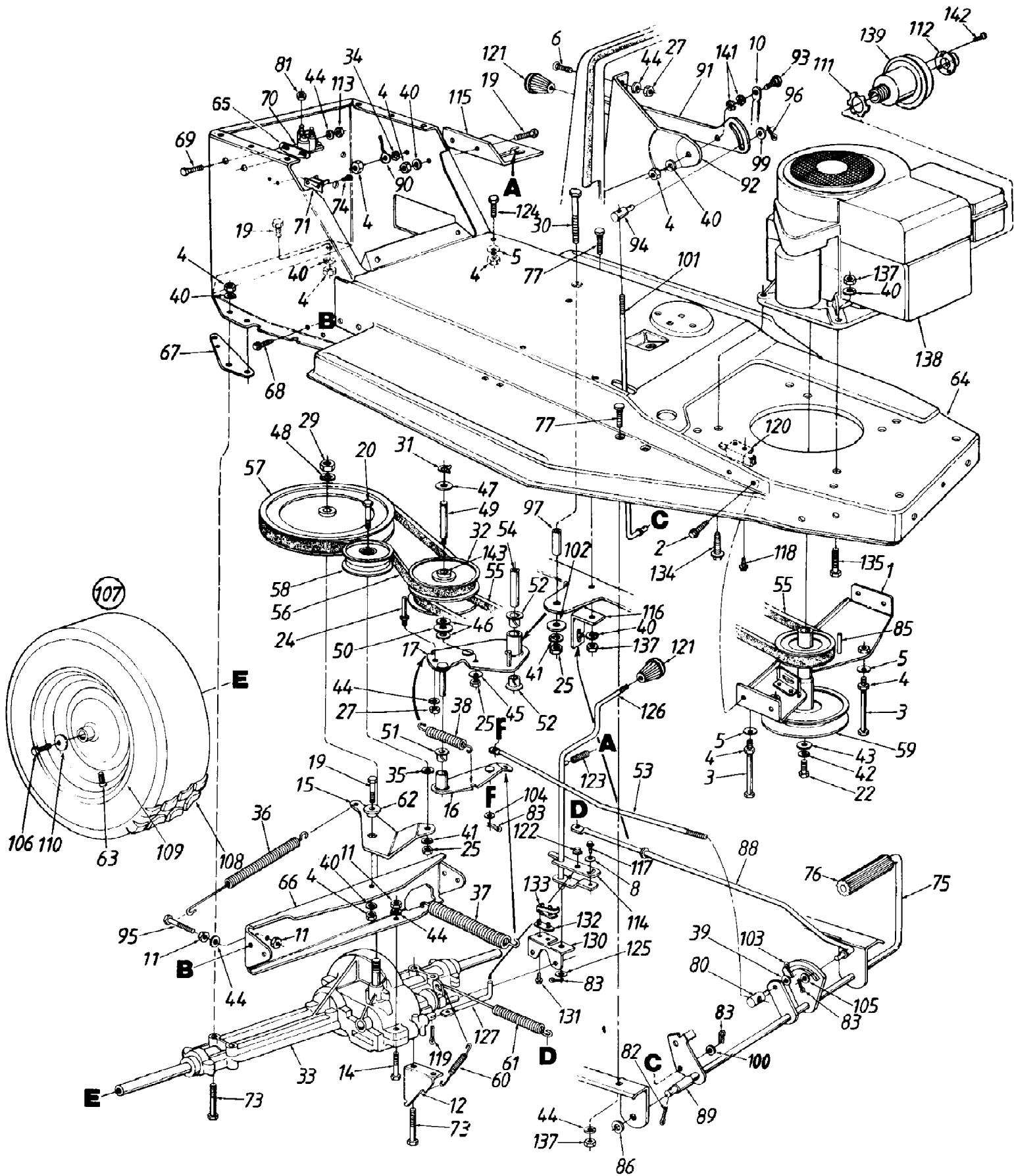
130-317D190 L-8 (1990)  
Body Assembly

Page 3 of 18

| Ref # | Part Number | Qty | S/P/F | Description                          |
|-------|-------------|-----|-------|--------------------------------------|
| 64    | 712-0272    | 1   | /P    | Hex Sems Nut #10-24 Thd.             |
| 65    | 736-0413    | 1   | /P    | Spr. Wash. 39" I.D. x .62" O.D.      |
| 66    | 738-0724    | 1   | S     | Shld. Bolt                           |
| 67    | 749-0722A   | 1   | S     | Grille Support                       |
| 68    | 731-0511-81 | 1   |       | Trim Strip 81" Lg.                   |
| 72    | 746-0617A   | 1   |       | Choke Control                        |
| 73    | 831-0823A   | 1   | /P    | Throttle Control Box                 |
| 74    | 710-0779A   | 1   | /P    | Truss AB-Tap Scr. #10 x .5"          |
| 75    | 746-0501    | 1   | /P    | Throttle Wire                        |
| 76    | 757-0345    | 1   | S     | Seat Assembly                        |
| 78    | 736-0159    | 1   | S     | Flat Wash. .344" I.D. x .88n         |
| 79    | 722-0160    | 1   |       | Bushing                              |
| 83    | 710-0227    | 1   | /P    | Hex Tap Scr. #8 x .5" Lg.            |
| 84    | 725-1439    | 1   |       | Safety Switch (Seat)                 |
| 85    | 732-0581    | 1   | S     | Ext. Spring 5.31" Lg.                |
| 86    | 17239A      | 1   | S     | Seat Lift Brkt.                      |
| 87    | 726-0278    | 1   |       | Insulator Boss Plate                 |
| 88    | 738-0155    | 1   | S     | Shld. Bolt .437" Dia. x .162" Lg.    |
| 89    | 738-0296    | 1   | S     | Shld. Bolt .437" Dia. x .268" Lg.    |
| 90    | 736-0141    | 1   | S     | Spr. Wash. .445" I.D. x .75" O.D.    |
| 91    | 710-0604    | 1   | S     | Hex Wash. Hd. Scr. 5/16-18 x 52" Lg. |
| 92    | 726-0279    | 1   |       | Insulator Plate                      |
| 94    | 723-0310A   | 1   |       | Foot Pad-Center                      |
| 95    | 725-1303    | 1   | S     | Safety Switch (Seat)                 |
| 96    | 750-0539    | 1   | S     | Spacer .315" I.D. x .52"             |



| Ref # | Part Number | Qty | S/P/F | Description                           |
|-------|-------------|-----|-------|---------------------------------------|
| 1     | 16607       | 1   | S     | Belt Guard Deck-L.H.                  |
| 2     | 16608A      | 1   | S     | Belt Guard Deck-R.H.                  |
| 4     | 17750       | 1   | S     | 32" Deck Ass'y.                       |
|       | 813-03104   | 1   |       | 32" Deck Ass'y. Comp. (Service Only)  |
| 5     | 710-0152    | 1   | S     | Hex Bolt 3/8-24 x 1.0" Lg.            |
| 6     | 710-0195    | 1   | S     | Hex Bolt 1/4-28 x .62" Lg.            |
| 7     | 710-0157    | 1   | /P    | Hex Bolt 5/16-24 x .75" Lg.           |
| 8     | 712-0123    | 1   | /P    | Hex Nut 5/16-24 Thd.                  |
| 9     | 712-0138    | 1   | S     | Hex Nut 1/4-28 Thd.                   |
| 14    | 736-0119    | 1   | S     | L-Wash. 5/16" I.D.                    |
| 15    | 736-0217    | 1   | S     | L-Wash. 3/8" I.D. H.D.                |
| 16    | 736-0270    | 1   | /P    | Bell-Wash. .265" I.D. x .75           |
| 18    | 742-0487    | 1   |       | High-Lift Blade                       |
| 20    | 748-0300    | 1   |       | Blade Adapter                         |
| 21    | 754-0151    | 1   |       | V-Belt                                |
| 23    | 09164A      | 1   | S     | Reinforcement Plate                   |
| 24    | 09322       | 1   |       | Brake Disc                            |
| 25    | 711-0792    | 1   | S     | Hinge Pin                             |
| 26    | 732-0602    | 1   | S     | Torsion Spring                        |
| 27    | 712-0123    | 1   | /P    | Hex Nut 5/16-24 Thd.                  |
| 28    | 712-0318    | 1   | /P    | Hex Jam Nut 5/8-18 Thd.               |
| 29    | 736-0119    | 1   | S     | L-Wash. 5/16" I.D.                    |
| 30    | 736-0158    | 1   | S     | L-Wash. 5/8" I.D.                     |
| 31    | 703-1693    | 1   | S     | Hinge Mtg. Brkt.                      |
| 32    | 726-0106    | 1   | S     | Push Nut                              |
| 33    | 750-0456    | 1   | S     | Spacer                                |
| 34    | 756-0486    | 1   |       | 5" Dia. Pulley                        |
| 36    | 712-0287    | 1   | S     | Hex Nut 1/4-20 Thd.                   |
| 38    | 731-1032    | 1   | S     | Chute Ass'y. Comp.                    |
| 45    | 710-0255    | 1   | S     | Truss-Mach. Scr. 1/4-20 x .75" Lg.    |
| 49    | 710-0888    | 1   | /P    | Hex Bolt 5/16-24 x 1.0" Lg. (Special) |
| 50    | 717-0900    | 1   | S     | Blade Spindle Complete                |
| 51    | 17692       | 1   |       | Deck Bracket-R.H.                     |
| 52    | 17693       | 1   |       | Deck Bracket-L.H.                     |



130-317D190 L-8 (1990)  
Drive Mounting Assembly

Page 7 of 18

| Ref # | Part Number | Qty | S/P/F | Description                      |
|-------|-------------|-----|-------|----------------------------------|
| 1     | 16670       | 1   | S     | Engine Pulley Belt Guard Ass'y.  |
| 2     | 710-0776A   | 1   | S     | Hex AB-Tap Scr. 1/4 x .62"       |
| 3     | 710-0833    | 1   | /P    | Hex Bolt 5/16-18 x 51/4" Lg.     |
| 4     | 712-0267    | 1   | S     | Hex Nut 5/16-18 Thd.             |
| 5     | 736-0242    | 1   | /P    | Bell-Wash. .345" I.D. x .88      |
| 6     | 710-0286    | 1   | /P    | Truss-Mach. Scr. 1/4-20 x .50"   |
| 8     | 736-0270    | 1   | /P    | Bell-Wash. .265" I.D. x .75      |
| 10    | 749-0820    | 1   |       | Speed Selector Brace             |
| 11    | 712-0138    | 1   | S     | Hex Nut 1/4-28 Thd.              |
| 12    | 17128       | 1   | S     | Spring Retainer Brkt.            |
| 14    | 710-0559    | 1   |       | Hex Bolt 1/4-28 x 1.75" Lg.      |
| 15    | 15891C      | 1   | S     | Idler Bracket                    |
| 16    | 16554A      | 1   | S     | Var. Speed Torque Brkt. Ass'y.   |
| 17    | 16676A      | 1   | S     | Variable Speed Brkt. Ass'y.      |
| 19    | 710-0118    | 1   | S     | Hex Bolt 5/16-18 x .75" Lg.      |
| 20    | 710-0151    | 1   | /P    | Hex Bolt 3/8-24 x 2.0" Lg. Gr. 5 |
| 22    | 710-0757    | 1   | /P    | Hex Bolt 7/16-20 x 1.5" Lg.      |
| 24    | 711-0768    | 1   | S     | Belt Guard Pin                   |
| 25    | 712-0241    | 1   | /P    | Hex Nut 3/8-24 Thd.              |
| 27    | 712-0287    | 1   | S     | Hex Nut 1/4-20 Thd.              |
| 29    | 712-0922    | 1   | /P    | Hex Jam Nut 1/2-20 Thd.          |
| 30    | 710-0902    | 1   |       | Hex Bolt 3/8-24 x 3.75" Lg.      |
| 31    | 716-0114    | 1   | S     | Snap Ring                        |
| 32    | 717-0800    | 1   | S     | Variable Speed Pulley Ass'y.     |
| 33    | 717-0775    | 1   | S     | Transaxle Complete               |
| 34    | 736-0607    | 1   | /P    | Ext. L-Wash. 5/16" I.D.          |
| 35    | 736-0258    | 1   | /P    | FI-Wash. 3/8" I.D. x 1.0" O.D.   |
| 36    | 732-0384    | 1   | S     | Extension Spring 6.12" Lg.       |
| 37    | 732-0459    | 1   | S     | Extension Spring 7.5" Lg.        |
| 38    | 732-0568    | 1   | S     | Extension Spring 2.59" Lg.       |
| 39    | 736-0117    | 1   | S     | FI-Wash. .385" I.D. x .620"      |
| 40    | 736-0119    | 1   | S     | L-Wash. 5/16" I.D.               |
| 41    | 736-0169    | 1   | S     | L-Wash. 3/8" I.D.                |
| 42    | 736-0171    | 1   | S     | L-Wash. 7/16" I.D.               |
| 43    | 736-0322    | 1   | /P    | FI-Wash. .450" I.D. x 1.25"      |
| 44    | 736-0329    | 1   | S     | L-Wash. 1/4" I.D.                |
| 45    | 736-0331    | 1   | /P    | Bell-Wash. .39" I.D. x 1.13"     |
| 46    | 736-0355    | 1   | /P    | FI-Wash. .56" I.D. x 1.0" O.D.   |
| 47    | 736-0414    | 1   | S     | Washer "Teflon" .565 I.D.        |
| 48    | 736-0253    | 1   | S     | Bell-Wash. 1/2" I.D. x 1.0" O.D. |
| 49    | 738-0569    | 1   | S     | Shaft .56" Dia. x 3.875" Lg.     |
| 50    | 741-0405    | 1   | S     | Thrust Brg. 1.25 O.D.            |
| 51    | 741-0419    | 1   |       | Flanged Nyliner Brg.             |
| 52    | 741-0495    | 1   | /P    | Nyliner Flanged Brg.             |
| 53    | 747-0599    | 1   | S     | Speed Control Rod                |
| 54    | 750-0703    | 1   |       | Spacer                           |
| 55    | 754-0280    | 1   | S     | V-Belt                           |
| 56    | 754-0281    | 1   | S     | V-Belt                           |
| 57    | 756-0559    | 1   |       | 1/2 V-Pulley .501" I.D. x 8.00"  |
| 58    | 756-0437    | 1   | S     | Idler Pulley 3-1/8" Dia.         |
| 59    | 756-0508    | 1   |       | Dbl. Pulley 6.0" Dia. x 3.56"    |
| 60    | 732-0303    | 1   | S     | Extension Spring 3.18" Lg.       |
| 61    | 732-0413    | 1   | S     | Extension Spring 7.08" Lg.       |

130-317D190 L-8 (1990)  
Drive Mounting Assembly

Page 8 of 18

| Ref # | Part Number | Qty | S/P/F | Description                           |
|-------|-------------|-----|-------|---------------------------------------|
| 62    | 748-0234    | 1   | /P    | Shld. Spacer .500" Dia.               |
| 63    | 734-0255    | 1   | S     | Air Valve                             |
| 64    | 17588       | 1   |       | Front Frame                           |
| 65    | 17589       | 1   | S     | Rear Frame                            |
| 66    | 16654       | 1   | S     | Transaxle Support Brkt.               |
| 67    | 16659       | 1   | S     | Transaxle Brkt. Reinforcement         |
| 68    | 710-0726    | 1   | /P    | Hex Wash. AB-Tap Scr. 5/16 x .75" Lg. |
| 69    | 710-0258    | 1   | S     | Hex Bolt 1/4-20 x .62" Lg.            |
| 70    | 725-1426    | 1   | S     | Solenoid                              |
| 71    | 725-0459    | 1   | S     | Circuit Breaker                       |
| 73    | 710-0176    | 1   | /P    | Hex Bolt 5/16-18 x 2.75" Lg.          |
| 74    | 710-0351    | 1   | /P    | Truss Mach. B-Tap Scr. #10 x.50" Lg.  |
| 75    | 17594       | 1   |       | Foot Pedal Rod Ass'y.                 |
| 76    | 735-0239    | 1   | /P    | Foot Pad                              |
| 77    | 710-1012    | 1   | /P    | Ribbed Neck Bolt 5/16-24 x .84"       |
| 80    | 711-0198    | 1   | S     | Ferrule                               |
| 81    | 712-0271    | 1   | /P    | Hex Sems Nut 1/4-20 Thd.              |
| 82    | 714-0470    | 1   | S     | Cot-Pin 1/8" Dia. x 1.25" Lg.         |
| 83    | 714-0507    | 1   | S     | Cot-Pin 3/32" Dia. x .75" Lg.         |
| 85    | 714-0114    | 1   | S     | Sq. Key 1/4 X 2.0" Lg.                |
| 86    | 736-0256    | 1   | S     | FI-Wash. .635" I.D. x 1.0"            |
| 88    | 747-0593    | 1   |       | Brake Rod                             |
| 89    | 750-0800    | 1   |       | Spacer 5/8" I.D. x 1.2" Lg.           |
| 90    | 725-0976A   | 1   | /P    | Ground Wire 7.2S" Lg.                 |
| 91    | 17457       | 1   | S     | Speed Selector Lever                  |
| 92    | 16693A      | 1   |       | 5 Speed Selector Brkt.                |
| 93    | 738-0138    | 1   | S     | Shld. Bolt .437" Dia. x .47" Lg.      |
| 94    | 711-0677    | 1   | S     | Ferrule                               |
| 95    | 710-0428    | 1   |       | Hex Bolt 1/4-28 x 1.25" Lg.           |
| 96    | 714-0104    | 1   | S     | Intern. Cot-Pin 5/16" Dia.            |
| 97    | 750-0703    | 1   |       | Spacer .375" I.D. x .625n             |
| 99    | 736-0264    | 1   | S     | FI-Wash. .344" I.D. x .62"            |
| 100   | 736-0463    | 1   | S     | FI-Wash. .25" I.D. x .62" O.D.        |
| 101   | 747-0675    | 1   | S     | Speed Control Rod                     |
| 102   | 736-0101    | 1   | S     | FI-Wash. 3/8" I.D. x .1" O.D.         |
| 103   | 714-0115    | 1   | S     | Cot-Pin 1/8" Dia. x 1.0" Lg.          |
| 104   | 736-0275    | 1   | S     | FI-Wash. .34" I.D. x .68"             |
| 105   | 736-0278    | 1   |       | FI-Wash. .34" I.D.                    |
| 106   | 710-0627    | 1   | /P    | Hex L-Bolt 5/16-24 x .75" Lg.         |
| 107   | 734-1424    | 1   |       | Rear Wheel Ass'y. Comp.               |
| 108   | 734-1423    | 1   |       | Turf Tread 16.0 x 7.50 Rear           |
| 109   | 734-1450    | 1   |       | Rear Wheel Rim Ass'y.                 |
| 110   | 736-0242    | 1   | /P    | Bell-Wash. .345" I.D. x .88"          |
| 111   | 712-0257    | 1   |       | Conduit Lock Nut 3/4 x 14 NPT         |
| 112   | 751-0447    | 1   |       | Muffler Deflector                     |
| 113   | 712-0298    | 1   | S     | Hex Jam Nut 1/4-20 Thd.               |
| 114   | 17178A      | 1   | /P    | Shift Lever Adjusting Link            |
| 115   | 16482       | 1   |       | Shift Lever Spring Brkt.              |
| 116   | 17597       | 1   | S     | Brake Rod Guide Brkt.                 |
| 117   | 710-0289    | 1   | S     | Hex Bolt 1/4-20 x .50 Lg.             |
| 118   | 710-1066    | 1   | S     | Hex Tap Scr. #10 x .38" Lg.           |
| 119   | 714-0149B   | 1   | S     | Intern. Cotter Pin                    |
| 120   | 725-3169    | 1   |       | Shift Lever Spring (Clutch)           |

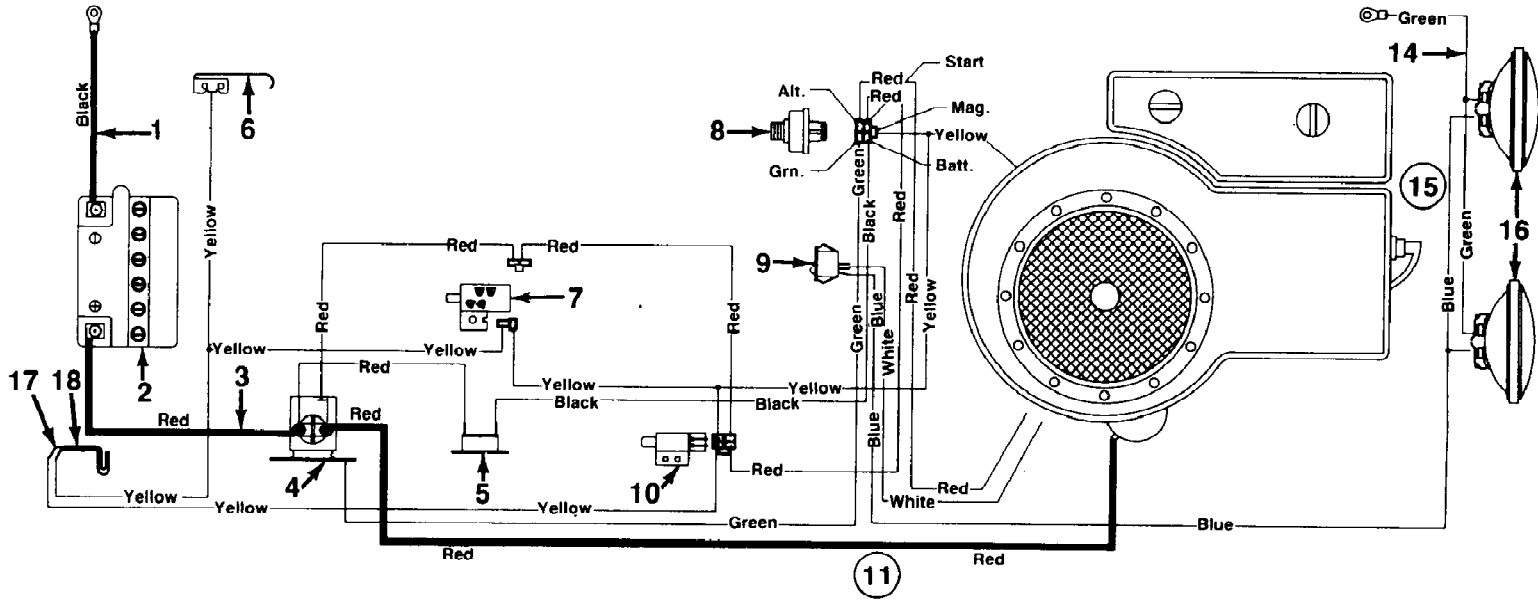


130-317D190 L-8 (1990)  
Drive Mounting Assembly

Page 9 of 18

| Ref # | Part Number | Qty | S/P/F | Description                           |
|-------|-------------|-----|-------|---------------------------------------|
| 121   | 720-0232    | 1   | S     | Knob                                  |
| 122   | 726-0231    | 1   | S     | Retaining Ring                        |
| 123   | 732-0499    | 1   |       | Compression Spring 1.5" Lg.           |
| 124   | 710-0604    | 1   | S     | Hex Wash. Hd. Scr. 5/16-18 x .62" Lg. |
| 125   | 736-0226    | 1   | S     | FI-Wash. .469" I.D. x .88"            |
| 126   | 747-0694A   | 1   | /P    | Shift Rod Ass'y.                      |
| 127   | 747-0685    | 1   | S     | Shift Rod                             |
| 130   | 17179       | 1   |       | Shift Lever Support                   |
| 131   | 710-0227    | 1   | /P    | Hex Wash. Hd. #8 x .50" Lg.           |
| 132   | 726-0222    | 1   | S     | Insulator Nut Plate                   |
| 133   | 725-0758    | 1   | S     | Spring Switch                         |
| 134   | 710-0502A   | 1   | /P    | Hd. Tap Scr. 3/8-16 x 1.25"           |
| 135   | 710-0672    | 1   | /P    | Hex Bolt 5/16-24 x 1 1/4" Lg. Gr. 5   |
| 137   | 712-0123    | 1   | /P    | Hex Nut 5/16-24 Thd.                  |
| 138   |             | 1   |       | Engine                                |
| 139   | 751-0157    | 1   |       | Muffler                               |
| 141   | 736-0141    | 1   | S     | Wave Wash. .445 I.D.                  |
| 142   | 710-0894    | 1   | S     | TT-Tap Scr. #8-32 x .4" Lg.           |
| 143   | 741-0404    | 2   | S     | Needle Brg.                           |

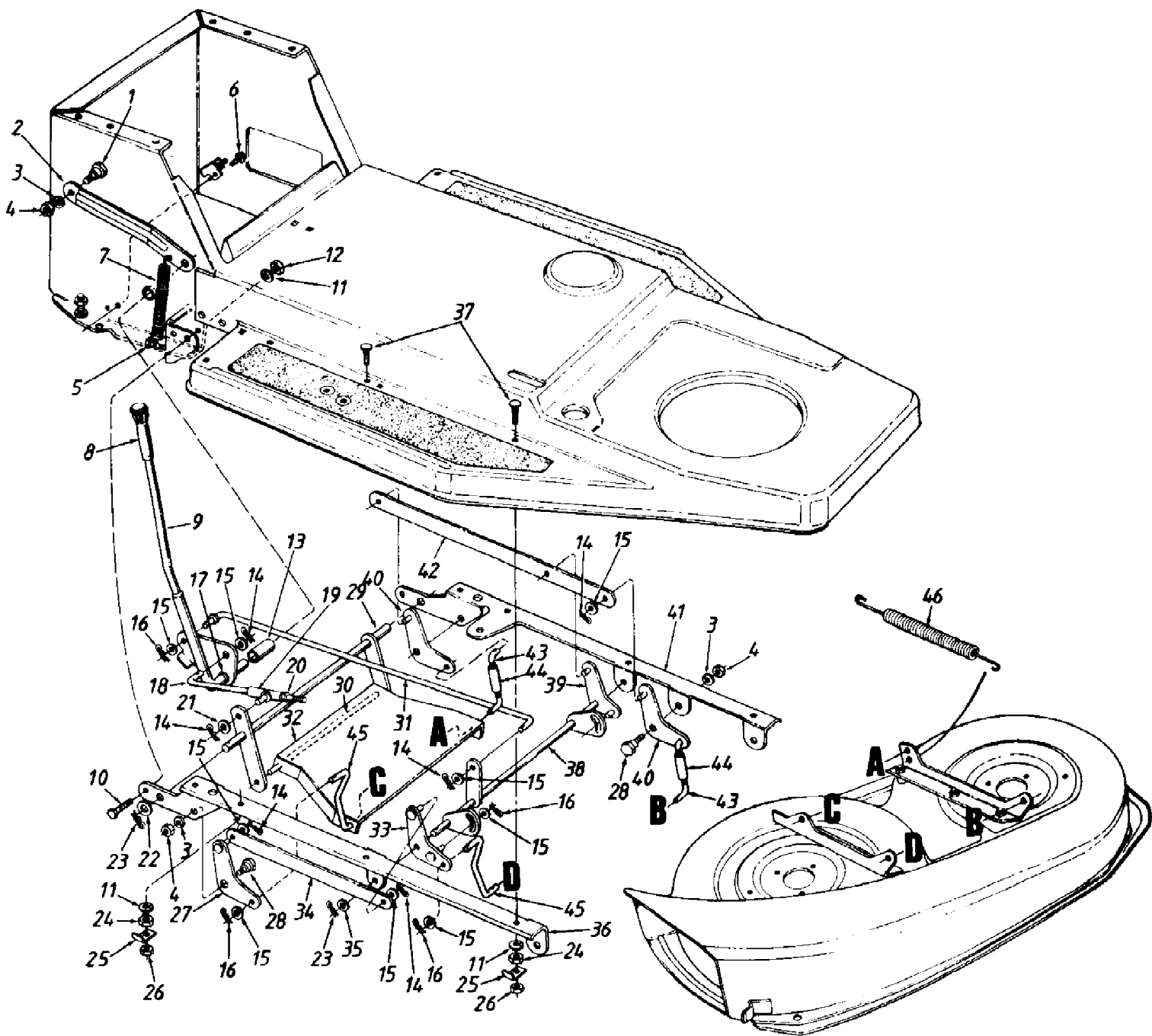
130-317D190 L-8 (1990)  
Electrical System



130-317D190 L-8 (1990)  
Electrical System

Page 11 of 18

| Ref # | Part Number | Qty | S/P/F | Description             |
|-------|-------------|-----|-------|-------------------------|
| 1     | 725-0976A   | 1   | /P    | Ground Wire             |
| 2     | 725-0514A   | 1   | S     | Battery                 |
| 3     | 725-0926    | 1   | /P    | Electric Wire-8.0" Lg.  |
| 4     | 725-1426    | 1   | S     | Solenoid                |
| 5     | 725-0459    | 1   | S     | Circuit Breaker         |
| 6     | 732-0758    | 1   | S     | Spring Switch (Reverse) |
| 7     | 725-0819A   | 1   | S     | Safety Switch (Deck)    |
| 8     | 725-0267    | 1   | S     | Ignition Switch         |
| 9     | 725-0634    | 1   | S     | Light Switch            |
| 10    | 725-3169    | 1   | S     | Safety Switch (Clutch)  |
| 11    | 725-1475    | 1   |       | Harness                 |
| 14    | 725-0916A   | 1   | /P    | Ground Wire             |
| 15    | 725-1477    | 1   |       | Headlight Harness       |
| 16    | 725-0222    | 1   | S     | Headlight               |
| 17    | 725-1303    | 1   | S     | Safety Switch (Seat)    |
| 18    | 725-1439    | 1   |       | Safety Switch (Seat)    |

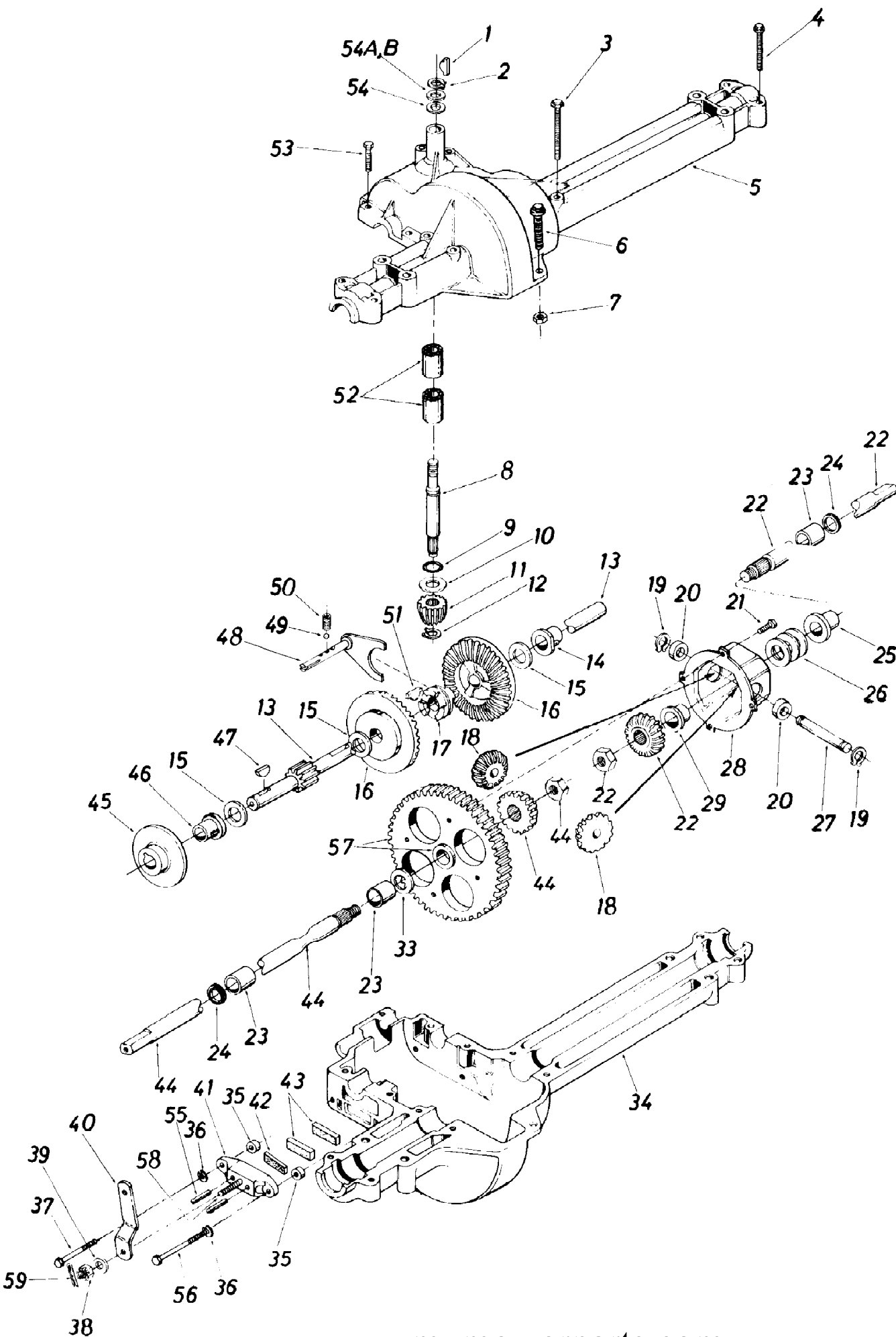


130-317D190 L-8 (1990)  
Linkage Assembly

Page 13 of 18

| Ref # | Part Number | Qty | S/P/F | Description                                |
|-------|-------------|-----|-------|--|
| 1     | 738-0258    | 1   | S     | Shld. Bolt .5" Dia. x 25" Lg.              |
| 2     | 17580       | 1   | S     | Litt Handle Support Strap                  |
| 3     | 736-0169    | 1   | S     | L-Wash. 3/8" I.D.                          |
| 4     | 712-0798    | 1   | /P    | Hex Nut 3/8-16 Thd.                        |
| 5     | 710-0428    | 1   |       | Hex Bolt 28 x 1.25" Lg.                    |
| 6     | 710-0599    | 1   | /P    | Hex Wash. Hd. TT-Tap Scr. 1/4-20 x .5" Lg. |
| 7     | 732-0640    | 1   |       | Ext. Spring                                |
| 8     | 720-0223    | 1   |       | Grip                                       |
| 9     | 17591       | 1   | S     | Deck Lift Handle Ass'y.                    |
| 10    | 710-0604    | 1   | S     | Hex Wash. TT-Tap Scr. 5/16-18 x .62" Lg.   |
| 11    | 736-0119    | 1   | S     | L-Wash. 5/16" I.D.                         |
| 12    | 712-0267    | 1   | S     | Hex Nut 5/16-18 Thd.                       |
| 13    | 741-0557    | 1   |       | Nylon Sleeve Brg.                          |
| 14    | 714-0507    | 1   | S     | Cot-Pin 3/32" Dia. x .75" Lg.              |
| 15    | 736-0185    | 1   | S     | FI-Wash. .406" I.D. x .75" O.D.            |
| 16    | 714-0104    | 1   | S     | Internal Cot-Pin 5/16" Dia.                |
| 17    | 741-0495    | 1   | /P    | Nyliner Flanged Brg.                       |
| 18    | 747-0746    | 1   |       | Deck Engagement Rod                        |
| 19    | 16682       | 1   |       | Pivot Sleeve Ass'y.                        |
| 20    | 712-0130    | 1   | /P    | Hex L-Nut 3/8-16 Thd.                      |
| 21    | 736-0314    | 1   | S     | Thrust Washer .382" I.D.                   |
| 22    | 736-0162    | 1   | /P    | FI-Wash. .635" I.D. x 1.04" O.D.           |
| 23    | 714-0470    | 1   | S     | Cot-Pin 1/8 Dia. x 1.25" Lg.               |
| 24    | 712-0123    | 1   | /P    | Hex Nut 5/16-24 Thd.                       |
| 25    | 17615       | 1   | S     | Harness Retainer                           |
| 26    | 712-0237    | 1   | S     | Hex Cent. L-Nut 5/16-24 Thd.               |
| 27    | 17555       | 1   | S     | Deck Pivot Brkt. Ass'y.-R.H. Rear          |
| 28    | 738-0281    | 1   | S     | Shld. Bolt .625" Dia. x .170" Lg.          |
| 29    | 17574       | 1   | S     | Deck Link Shaft Ass'y.                     |
| 30    | 738-0667    | 1   |       | Shaft 11.2" Lg.                            |
| 31    | 747-0756    | 1   |       | Deck Lift Rod                              |
| 32    | 17689       | 1   |       | Deck Stabilizer Brkt.                      |
| 33    | 17554       | 1   | S     | Deck Pivot Brkt. Ass'y.-R.H. Front         |
| 34    | 17563       | 1   | S     | Connecting Link-R.H.                       |
| 35    | 736-0336    | 1   | S     | FI-Wash. 5/8" I.D. x 1.0" O.D.             |
| 36    | 17582       | 1   | S     | Pivot Support Brkt.-R.H.                   |
| 37    | 710-1012    | 1   | /P    | Rib Neck Bolt 5/16-24 x .84" Lg.           |
| 38    | 17568       | 1   | S     | Cross Shaft Ass'y.                         |
| 39    | 17557       | 1   | S     | Deck Pivot Brkt. Ass'y.-L.H.               |
| 40    | 17556       | 1   | S     | Deck Pivot Brkt. Ass'y.-L.H.               |
| 41    | 17581       | 1   | S     | Pivot Support Brkt.-L.H.                   |
| 42    | 17562       | 1   | S     | Connecting Link-L.H.                       |
| 43    | 747-0584    | 1   | S     | Lift Link 3/8-24 x 1.25" Lg.               |
| 44    | 17709       | 1   | S     | Adj. Lift Link Ass'y.                      |
| 45    | 17598       | 1   |       | Deck Hanger                                |
| 46    | 732-0564    | 1   | S     | Deck Spring 10.33" Lg.                     |

130-317D190 L-8 (1990)  
Single Speed Transaxle Left Hand



130-317D190 L-8 (1990)  
Single Speed Transaxle Left Hand

Page 15 of 18

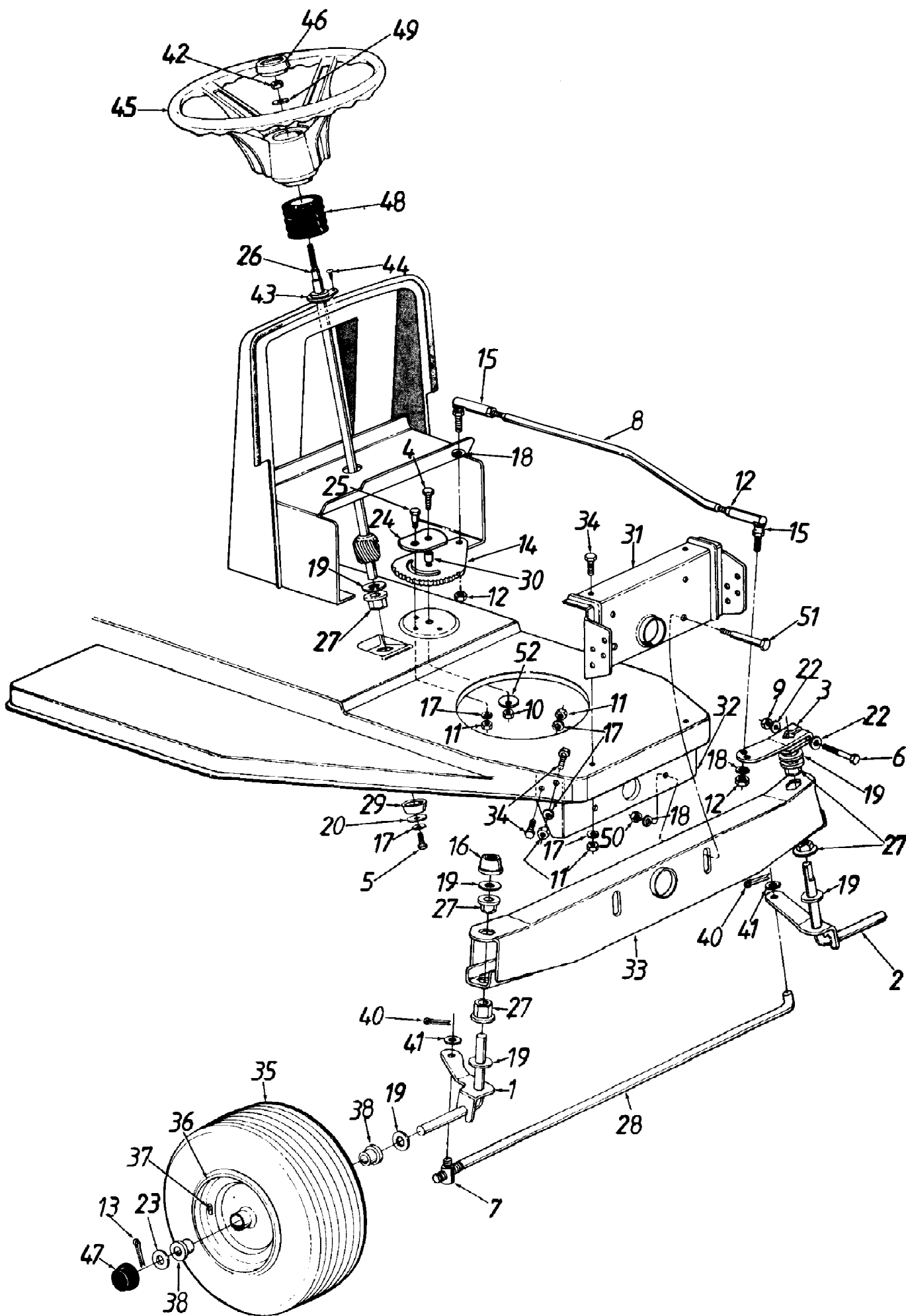
| Ref # | Part Number | Qty | S/P/F | Description                                 |
|-------|-------------|-----|-------|---|
| 1     | 714-0129    | 1   | S     | #4 Hi-Pro Key 3/32 x 5/8" Dia.              |
| 2     | 716-0115    | 1   | S     | Snap Ring .625" Shaft                       |
| 3     | 710-0854    | 1   | S     | Hex Bolt 1/4-20 x 1.75" Lg.                 |
| 4     | 710-0378    | 1   | /P    | Hex Bolt 5/16-18 x 2.5"                     |
| 5     | 717-0764    | 1   | S     | Upper Housing                               |
| 6     | 710-0889    | 1   |       | Hex FI-Bolt 1/4-20 x .88" Lg.'              |
| 7     | 712-0287    | 1   | S     | Hex Nut 1/4-20 Thd.                         |
| 8     | 717-0634    | 1   | S     | Input Shaft                                 |
| 9     | 721-0178    | 1   | S     | Square Seal 5/8" I.D.                       |
| 10    | 736-0335    | 1   | S     | Thrust Washer 5/8" I.D. x 1.25" O.D.        |
| 11    | 717-0633    | 1   | S     | Pinion Input 14T                            |
| 12    | 716-0108    | 1   | S     | Retaining Ring 7116" Ext.                   |
| 13    | 717-0768    | 1   |       | Drive Shaft                                 |
| 14    | 741-0336    | 1   | S     | Flange Brg. 518" I.D. x 3/4" Lg.*           |
| 15    |             | 1   |       | FI-Wash.                                    |
|       | 736-0349    | 1   | S     | FI-Wash. 5/8" I.D. x 1.0" O.D. x .020" Thk. |
|       | 736-0336    | 1   | S     | FI-Wash. 5/8" I.D. x 1.0" O.D. x .030" Thk. |
|       | 736-0337    | 1   | S     | FI-Wash. 5/8" I.D. x 1.0" O.D. x .040" Thk. |
| 16    | 717-0757    | 1   |       | Bevel Gear 42T                              |
| 17    | 717-0667    | 1   | S     | Clutch Collar                               |
| 18    | 717-1020    | 1   | /P    | Miter Gear 15T (H.D.)                       |
| 19    | 716-0142    | 1   | S     | Snap Ring                                   |
| 20    | 717-0690    | 1   | S     | Thrust Bearing 1/2" I.D. x 1.0" O. D.       |
| 21    | 710-0862    | 1   | S     | Pan Head Scr. 1/4-20 x .50" Lg. w/Patch     |
| 22    | 717-0766    | 1   | S     | Axle R.H. Ass'y.-Kit                        |
| 23    | 741-0340    | 1   | S     | Sleeve Bearing 3/4" I.D. x 1.0" Lg.         |
| 24    | 721-0179    | 1   | S     | Oil Seal 3/4" I.D.                          |
| 25    | 741-0339    | 1   | S     | Flange Bearing 3/4" I.D. x 15/16" Lg.       |
| 26    | 736-0188    | 1   | /P    | FI-Wash. .760" I.D. x 1.49" O.D.            |
| 27    | 717-0673    | 1   | S     | Cross Shaft                                 |
| 28    | 717-0777    | 1   | S     | Differential Housing Ass'y.                 |
| 29    |             | 1   |       | Part of Ref. 28                             |
| 33    | 736-0188    | 1   | /P    | FI-Wash. .760" I.D. x 1.49" O.D.            |
| 34    | 717-0761    | 1   | S     | Lower Housing                               |
| 35    | 750-0555    | 1   |       | Spacer .53" O.D. x 3/8" Lg.                 |
| 36    | 736-0329    | 1   | S     | L-Wash. 1/4" I.D.                           |
| 37    | 710-0886    | 1   | S     | Hex Bolt 1/4-20 x 1.50" Lg. (Grade 5)       |
| 38    | 712-0335    | 1   | S     | Castle Nut 5/16-24 Thd.                     |
| 39    | 736-0159    | 1   | S     | FI-Wash. .344 I.D. x .875" O.D.             |
| 40    | 717-0772    | 1   | S     | Actuating Arm                               |
| 41    | 717-0679    | 1   |       | Brake Yoke                                  |
| 42    | 717-0682    | 1   | S     | Puck Plate                                  |
| 43    | 717-0678    | 1   | S     | Brake Puck                                  |
| 44    | 717-0765    | 1   | S     | Axle L.H. Ass'y.-Kit                        |
| 45    | 717-0677    | 1   | /P    | Brake Disc                                  |
| 46    | 741-0337    | 1   | S     | Flange Bearing 5/8" I.D. x 15/16" Lg.       |
| 47    | 714-0161    | 1   | S     | Woodruff Key 3/16 x 5/8 HT                  |
| 48    | 717-0754    | 1   | S     | Shift Fork Ass'y.                           |
| 49    | 741-0862    | 1   | /P    | Ball Detent .250" Dia.                      |
| 50    | 732-0863    | 1   | S     | Spring Detent                               |
| 51    | 714-0169    | 1   | S     | #9 Hi-Pro Key 3/16" x 3/4" Dia. HT          |
| 52    | 741-0335    | 1   | S     | Needle Brg. 5/8" I.D. x 1/2'                |
| 53    | 710-0855    | 1   | S     | Needle Brg. 5/8" I.D. x 1.00" Lg.           |

130-317D190 L-8 (1990)  
Single Speed Transaxle Left Hand

Page 16 of 18

| Ref # | Part Number | Qty | S/P/F | Description                              |
|-------|-------------|-----|-------|--|
| 54    | 736-0336    | 1   | S     | FI-Wash. 5/8" I.D. x .030                |
| 54A   | 736-0337    | 1   | S     | FI-Wash. 5/8" I.D. x .040                |
| 55    | 741-0343    | 1   | S     | Actuating Pin 5/16" Dia.                 |
| 56    | 710-0966    | 1   |       | Hex Bolt 1/4-20 x 2.50" Lg.- 0 (Grade 5) |
| 57    | 717-0767    | 1   | S     | Differential Gear 72T Ass'y. w/Bearing   |
| 58    | 717-0681    | 1   | S     | Sq. Hd. Bolt 5/16-24 Thd.                |
| 59    | 1544-013    | 1   | S     | Cotter Pin 3/32" Dia. x .50" Lg.         |
|       | 737-0148    | 1   | S     | Grease-Shell (10 oz.)                    |





130-317D190 L-8 (1990)  
Steering Assembly

Page 18 of 18

| Ref # | Part Number | Qty | S/P/F | Description                      |
|-------|-------------|-----|-------|----------------------------------|
| 1     | 17584       | 1   | /P    | Front Axle Ass'y.-R.H.           |
| 2     | 17585       | 1   | /P    | Front Axle Ass'y.-L.H.           |
| 3     | 16481       | 1   | S     | Steering Arm                     |
| 4     | 710-0152    | 1   | S     | Hex Bolt 3/8-24 x 1" Lg.         |
| 5     | 710-0538    | 1   | /P    | Hex Bolt 5/16-18 x .62" (Spec.)  |
| 6     | 710-0772    | 1   | /P    | Hex Bolt 5/16-24 x 2" Lg.        |
| 7     | 711-0723    | 1   | S     | Ferrule                          |
| 8     | 711-0809    | 1   |       | Steering Drag Link               |
| 9     | 712-0237    | 1   | S     | Hex L-Nut 5/16-24 Thd.           |
| 10    | 712-0241    | 1   | /P    | Hex Nut 3/8-24 Thd.              |
| 11    | 712-0267    | 1   | S     | Hex Nut 5/16-18 Thd.             |
| 12    | 712-0711    | 1   | /P    | Hex Jam Nut, 3/8-24              |
| 13    | 714-0470    | 1   | S     | Cotter Pin 1/8 Dia.              |
| 14    | 717-0622A   | 1   | S     | Steering Gear Segment            |
| 15    | 723-3018    | 1   | S     | Drag Link Ball Joint 3/8-24 Thd. |
| 16    | 726-0214    | 1   | /P    | Push Cap                         |
| 17    | 736-0119    | 1   | S     | L-Wash. 5/16" I.D.               |
| 18    | 736-0169    | 1   | S     | L-Wash. 3/8" I.D.                |
| 19    | 736-0187    | 1   | /P    | FI-Wash. .64" I.D. x 1.24"       |
| 20    | 736-0343    | 1   | /P    | FI-Wash. .340" I.D. x 1.125"     |
| 22    | 736-0271    | 1   | S     | Spr. Wash. .32 I.D. x .62        |
| 23    | 736-0285    | 1   | /P    | FI-Wash. .635 I.D. x 1.585       |
| 24    | 17198       | 1   | S     | Retainer Plate                   |
| 25    | 738-0141    | 1   | S     | Shld. Bolt .437 Dia. x .350      |
| 26    | 738-0730    | 1   |       | Steering Shaft                   |
| 27    | 741-0225    | 1   | S     | Hex Flange Brg. .634 Dia.        |
| 28    | 747-0759    | 1   |       | Tie Rod 19.1 Lg.                 |
| 29    | 750-0532    | 1   | S     | Spacer .985 I.D.                 |
| 30    | 750-0535    | 1   | S     | Spacer .380 I.D.                 |
| 31    | 16657       | 1   |       | Front Pivot Bar Support 8rkt.    |
| 32    | 16658       | 1   |       | Rear Pivot Bar Support Brkt.     |
| 33    | 17127       | 1   |       | Pivot Bar Ass'y.                 |
| 34    | 710-0118    | 1   | S     | Hex Bolt 5/16-18 x .75" Lg.      |
| 35    | 734-1422    | 1   |       | Front Wheel Ass'y. Comp. 13 x 6  |
|       | 734-1421    | 1   |       | Tire Only                        |
| 36    | 734-0997A   | 1   | S     | Wheel Rim Ass'y. Only            |
|       | 737-0146    | 1   | S     | Grease Fitting                   |
| 37    | 734-0255    | 1   | S     | Air Valve                        |
| 38    | 741-0487    | 1   | S     | Flange Bearing .632 I.D.         |
| 40    | 714-0111    | 1   | S     | Cotter Pin 3/32" Dia.            |
| 41    | 736-0185    | 1   | S     | FI-Wash. .406" I.D. x .75"       |
| 42    | 712-0237    | 1   | S     | Hex L-Nut 5/16-24 Thd.           |
| 43    | 741-0501    | 1   | S     | Steering Column Brg.             |
| 44    | 710-0837    | 1   |       | Cr-Sunk Scr. #10 x 5/8" Lg.      |
| 45    | 731-0805    | 1   | S     | Steering Wheel                   |
| 46    | 731-0220    | 1   | S     | Steering Wheel Cap               |
| 47    | 731-0484A   | 1   | S     | Hub Cap                          |
| 48    | 731-0559    | 1   | S     | Bellow Steering Column           |
| 49    | 736-0242    | 1   | /P    | Bell-Wash. .345 I.D. x .88       |
| 50    | 712-0798    | 1   | /P    | Hex Nut 3/8-16 Thd.              |
| 51    | 738-0728    | 1   |       | Shld. Bolt 1/2" Dia. x 2.32"     |
| 52    | 736-0356    | 1   | S     | Bell-Wash. .39" I.D. x 1.4" .    |